

MDS

RADAR LEVEL TRANSMITTER

RLT -2088 EX

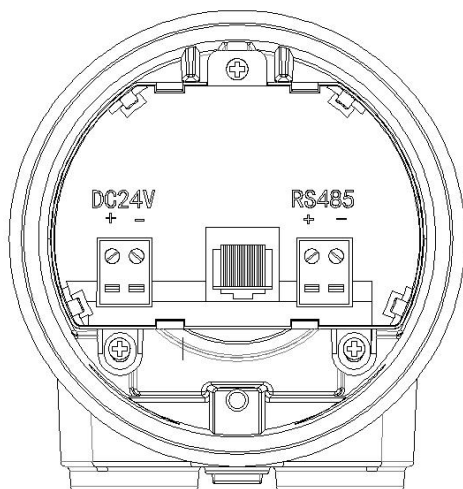
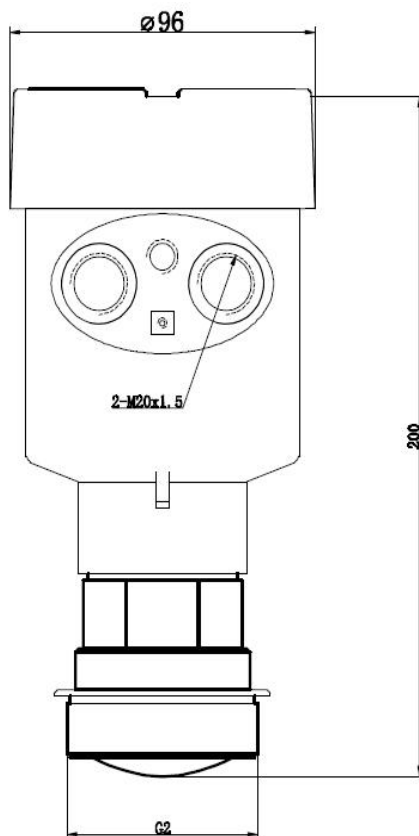
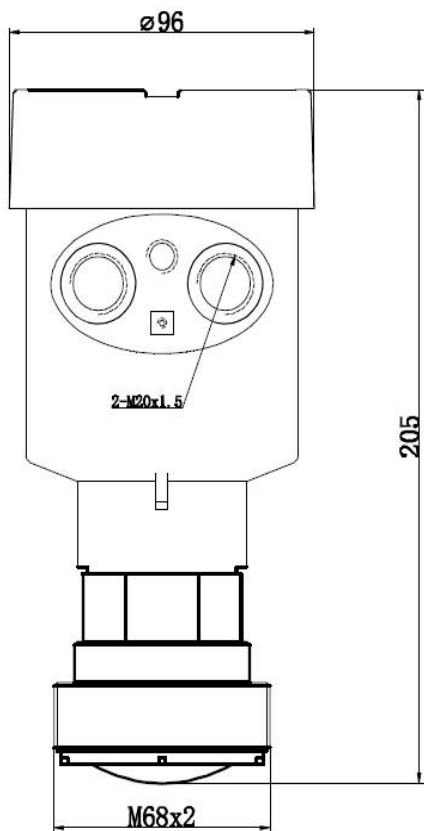
SKR800N 80GHz Radar Level Transmitter

The SKR800N is an 80 GHz FMCW radar transmitter for continuous level measurement of Liquid, Simple Solid, and open water application

- * High frequency 80GHz, More Focus.
- * Accuracy ± 2 mm(liquid), ± 5 mm(solid)
- * PTFE sealed antenna, not affected by temperature, condensate water.
- * Small emitting angle $\pm 3.5^\circ$.
- * G thread connection, customized thread/flange.



Sizes:



Specification

Model	SKR800N
Product Type	FMCW Radar Level Transmitter
Application	*Simple liquid Measurement (exp: water, up to 30m) *Standard liquid measurement (exp: Corrosive chemical) *Simple solid measurement
Frequency	77GHz-81GHz
Measurement Range	Liquid: 10M 20M 30M *Solid: 10M 20M 30M
Accuracy	±2mm for liquid ±5mm for solid
Beam Angle	±3.5°
Antenna Material	SS 304/Sealed PTFE
Process Connection	Default G2 Thread; Thread and flange is customized
Process Temperature	-20°C to 70°C
Process Pressure	Normal atmospheric pressure
Signal output	4-20mA/RS485(Modbus - RTU)/Hart
Power	Two-wire DC 24V (22V~30V)
Protection	IP67
Explosion-proof	Exd II CT6Gb
Sizes:	96mmx200mm weight: 2kgs.

SK-R800N Model Selection

SK-R800 **80GHz Radar Level Transmitter (PP housing, with display)**

Code	Medium Type							
N/NS	Liquid/Solid							
Code	Measuring Range(m)							
0.2~30	10	20	30					
Code	Connection							
G	GThread (G2)							
F	Flange							
Code	Temperature							
N	-20-70°C							
Code	Cable entry							
M/N	M20×1.5(F)/1/2NPT							
Code	Electronics							
T	Two-wire 4...20mA							
M	Modbus							
H	HART							
Code	Protection							
P	IP67							
Code	Explosion-proof							
E	Ex db ia IIC T6 Gb							
SK-R800	N	10	G	N	M	TMH	P	E